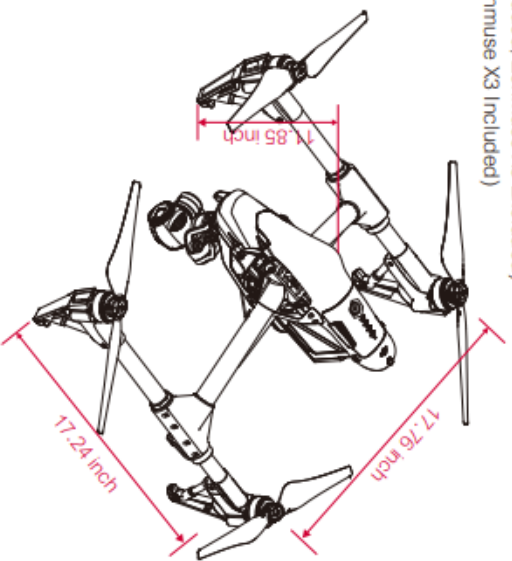
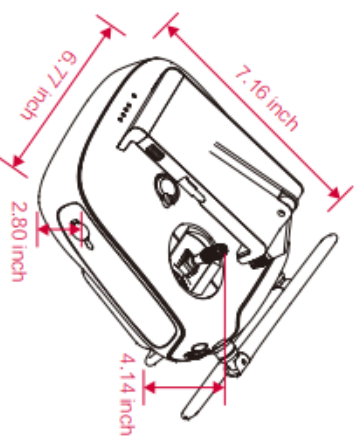


- **Aircraft (Model: T600)**
 - Weight 2845 g (Battery and Propellers Included, Zenmuse X3 Excluded)
 - Maximum Weight of Payload 3060 g (Battery, Propellers and Zenmuse X3 Included)
 - Max Tilt Angle 3500 g
 - Max Ascent Speed 35°
 - Max Descent Speed 5 m/s
 - Max Speed 4 m/s
 - Max Altitude Above Sea Level 20 m/s (ATTI mode, no wind)
 - Max Flight Time 14,700 feet (4,500 meters)
 - Operating Temperature Range Approximately 18.5 minutes
 - Operating Temperature Range 14° to 104° F (-10° to 40° C)
- **Gimbal (Model: ZENMUSE X3)**
 - Angular Vibration Range ±0.03°
 - Controllable Range Pitch: -90° to +30° Pan: ±320°
 - Max Controllable Speed Pitch: 120°/s Pan: 180°/s
- **Vision Positioning System**
 - Velocity Range <8 m/s @Altitude 6.56 feet (2 m)
 - Altitude Range 0.16 feet - 16.4 feet (5 cm-500 cm)
 - Operating Range <9.84 feet (<300 cm)
 - Operating Environment Surface with clear pattern and adequate lighting (>15 Lux)



- **Camera (Name/Model: X3/FC350)**
 - Sensor Sony Exmor R CMOS (Type 1/2.33), Effective pixels: 12.4M (total pixels: 12.76M)
 - Lens FOV (Field Of View) 94° 20 mm (35 mm format equivalent) f/2.8
 - ISO Range 100-3200 (video) 100-1600 (photo)
 - Electronic Shutter Speed 8 s-1/8000 s
 - Image Max Size 4000×3000
 - Still Photography Modes Single shoot; Burst shooting: 3/5/7 frames
 - Video Recording Modes Auto Exposure Bracketing (AEB): 3/5 bracketed frames at 0.7EV Bias; Time-lapse UHD: 4K (4096×2160) 24/25p, 4K (3840×2160) 24/25/30p, FHD: 1920×1080 24/25/30/48/50/60p, HD: 1280×720 24/25/30/48/50/60p
 - Video Bitrate Of Video Storage 60 Mbps
 - Supported File Systems FAT32 (≤ 32 GB), exFAT (> 32 GB)
 - Photo Formats JPEG, DNG
 - VideoFormats MP4/MOV (MPEG-4 AVC/H.264)
 - Supported SD Card Types Micro SD, Max capacity: 64GB, Class 10 or UHS-1 rating required
 - Operating Temperature Range 32° to 104° F (0° to 40° C)
- **Remote Controller (Name: C1)**
 - Operating Frequency 922.7 MHz-927.7 MHz (Japan only) 5.725 GHz-5.825 GHz 2.400 GHz-2.483 GHz
 - Transmitting Distance Up to 5 km or 3.1 miles (unobstructed, free of interference) when FCC compliant
 - Video Output Port Up to 3.5 km or 2.1 miles (unobstructed, free of interference) when CE compliant
 - Operating Temperature Range USB, Mini-HDMI
 - Battery 14° to 104° F (-10° to 40° C)
 - Battery Capacity 6000 mAh LiPo 2S

- **Charger (Model: A14-100P1A)**
 - Voltage 26.3 V
 - Rated Power 100 W
- **Intelligent Flight Battery (Model: TB47, Standard)**
 - Capacity 4500 mAh
 - Voltage 22.2 V
 - Battery Type LiPo 6S High voltage battery
 - Energy 99.9 Wh
 - Net Weight 570 g
 - Operating Tempe 14° to 104° F (-10° to 40° C)
 - Max Charging Power 180 W
- **Intelligent Flight Battery (Model: TB48, Optional)**
 - Capacity 5700 mAh
 - Voltage 22.8 V
 - Battery Type LiPo 6S High voltage battery
 - Energy 129.96 Wh
 - Net Weight 670 g
 - Operating Tempe 14° to 104° F (-10° to 40° C)
 - Max Charging Power 180 W



※ This Quick Start Guide is subject to change without prior notice.