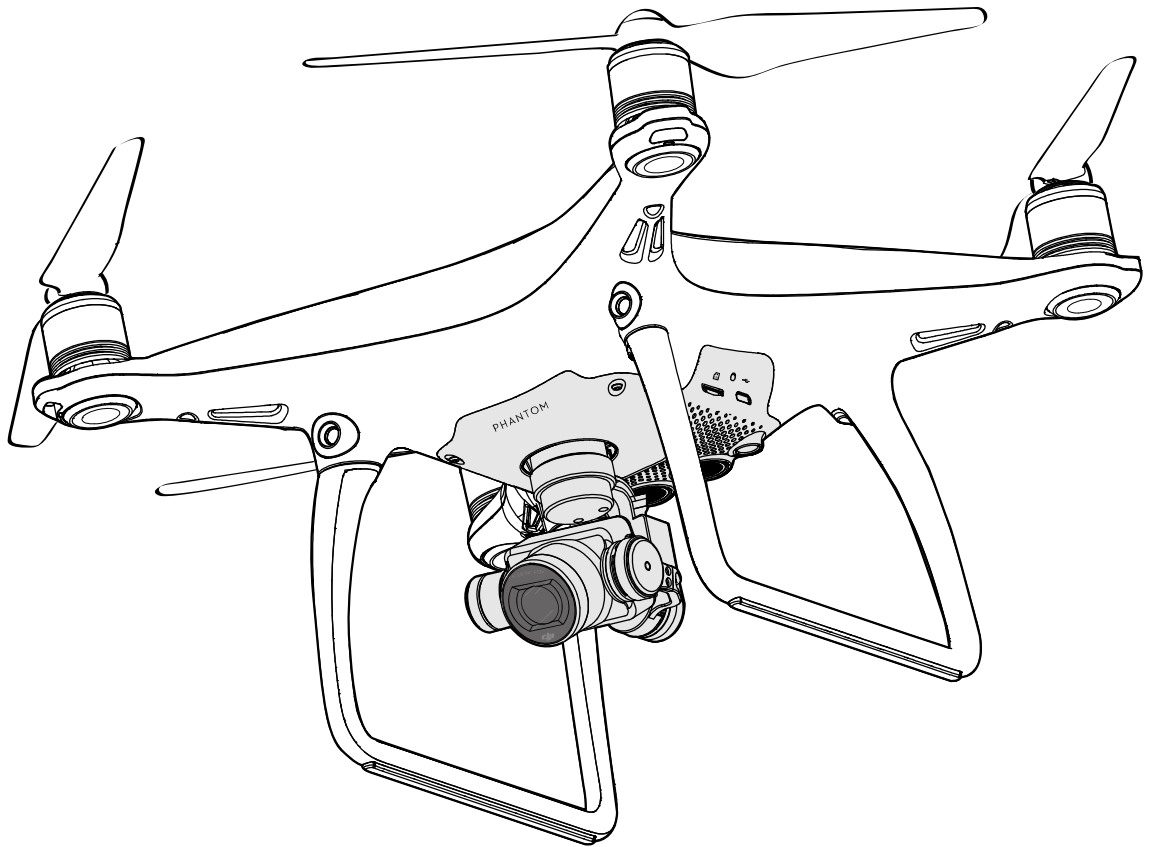


PHANTOM 4



Appendix

Specifications

Aircraft

Weight (Battery & Propellers Included)	1380 g
Max Ascent Speed	6 m/s (Sport mode)
Max Descent Speed	4 m/s (Sport mode)
Max Speed	20 m/s (Sport mode)
Max Service Ceiling Above Sea Level	19685 feet (6000 m) (Software altitude limit: 400 feet above takeoff point)
Max Flight Time	Approx. 28 minutes
Operating Temperature Range	32° to 104° F (0° to 40° C)
Satellite Systems	GPS/GLONASS

Gimbal

Controllable Range	Pitch: - 90° to + 30°
--------------------	-----------------------

Obstacle Sensing System

Obstacle Sensory Range	2 - 49 feet (0.7 - 15 m)
Operating Environment	Surface with clear pattern and adequate lighting (lux > 15)

Vision Positioning System

Velocity Range	≤10 m/s (2 m above ground)
Altitude Range	0 - 33 feet (0 - 10 m)
Operating Range	0 - 33 feet (0 - 10 m)
Operating Environment	Surfaces with a clear pattern and adequate lighting (lux > 15)

Camera

Sensor	1/2.3" Effective pixels:12 M
Lens	FOV (Field Of View) 94° 20 mm (35 mm format equivalent) f/2.8 focus at ∞
ISO Range	100-3200(video) 100-1600(photo)
Electronic Shutter Speed	8 s to 1/8000 s
Max Image Size	4000 x 3000

Still Photography Modes	Single shot
	Burst shooting: 3/5/7 frames
	Auto Exposure Bracketing (AEB): 3/5 Bracketed frames at 0.7EV Bias
	Time-lapse HDR

Video Recording Modes	UHD: 4096x2160 (4K) 24 / 25p
	3840x2160 (4K) 24 / 25 / 30p
	2704x1520 (2.7K) 24 / 25 / 30p
	FHD: 1920x1080 24 / 25 / 30 / 48 / 50 / 60 / 120p
	HD: 1280x720 24 / 25 / 30 / 48 / 50 / 60p

Max. Bitrate Of Video Storage	60 Mbps
-------------------------------	---------

Supported File Systems	FAT32 (≤ 32 GB); exFAT (> 32 GB)
Photo	JPEG, DNG (RAW)
Video	MP4 / MOV (MPEG – 4 AVC / H.264)
Supported SD Cards	Micro SD, Max capacity: 64GB. Class 10 or UHS-1 rating required
Operating Temperature	32° to 104° F (0° to 40° C)

Remote Controller

Operating Frequency	2.400 GHz to 2.483 GHz
Max Transmission Distance	FCC Compliant: 3.1 mi (5 km); CE Compliant: 2.2 mi (3.5 km) (Unobstructed, free of interference)
Operating Temperature	32° to 104° F (0° to 40° C)
Battery	6000 mAh LiPo 2S
Mobile Device Holder	Tablets and smartphones
Transmitter Power (EIRP)	FCC: 23 dBm; CE: 17 dBm
Operating Voltage	7.4V @ 1.2A

Charger

Voltage	17.4 V
Rated Power	100 W
Intelligent Flight Battery (PH4 - 5350 mAh -15.2 V)	
Capacity	5350 mAh
Voltage	15.2 V
Battery Type	LiPo 4S
Energy	81.3 Wh
Net Weight	462 g
Operating Temperature	14° to 104° F (-10° to 40° C)
Max. Charging Power	100 W