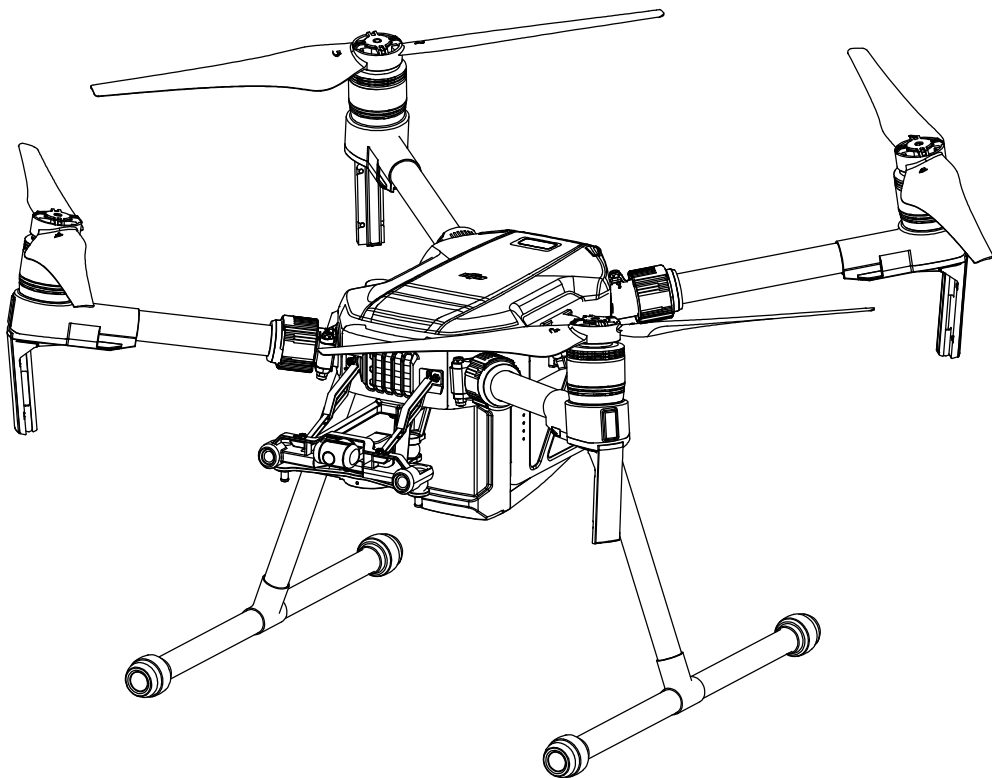


# MATRICE 200

V1.4

2018.11



# Appendix

## Specifications

Aircraft	
Model	M200
Dimensions	Unfolded, 887×880×378 mm Folded, 716×220×236 mm
Diagonal Wheelbase	643 mm
Max Takeoff Weight	6.14 kg
Max Payload	2.34 kg (with two standard batteries ), 1.61 kg (with two optional batteries)
Hovering Accuracy (P-mode with GPS)	Vertical: ±1.64 feet (0.5 m) or ±0.33 feet (0.1 m, Downward Vision System enabled) Horizontal: ±4.92 feet (1.5 m) or ±0.98 feet (0.3 m, Downward Vision System enabled)
Max Angular Velocity	Pitch: 300°/s, Yaw: 150°/s
Max Pitch Angle	35° (In P-mode and Forward Vision System enabled: 25°)
Max Ascent Speed	16.4 ft/s (5 m/s)
Max Descent Speed (Vertical)	9.8 ft/s (3 m/s)
Max Speed	P-mode: 61 kph(17 m/s); S-mode/A-mode: 83 kph (23 m/s)
Max Service Ceiling Above Sea Level	3000 m
Max Wind Resistance	39.4 ft/s (12 m/s)
Max Flight Time (with standard batteries)	27 min (No payload), 13 min (Takeoff weight: 6.14 kg)
Max Flight Time (with optional batteries)	38 (No payload), 24 min (Takeoff weight: 6.14 kg)
Motor Model	DJI 3515
Propeller Model	1760S
Supported DJI Gimbals	Zenmuse X4S/X5S/XT/Z30/XT 2
Supported Gimbal Mounting	Single Downward Gimbal
Waterproof Level	IP43
GNSS	GPS+GLONASS
Operating Temperature	-4° to 113° F (-20° to 45° C)
Gimbal	
Angular Vibration Range	±0.01°
Controllable Range	Pitch: -130° to +40°; Roll: ±20°; Pan: ±320°
Max Controllable Speed	Pitch: 180°/s; Roll:180°/s; Pan:270°/s
Interface Type	DGC2.0
Mechanical Range	Pitch: -140° to +50°; Roll: -50° to +90°; Pan: ±330°

<b>Remote Controller</b>	
Model	GL6D10A
Operating Frequency	2.400-2.483 GHz; 5.725-5.825 GHz
Max Transmitting Distance	2.4 GHz: 4.3 miles (7 km, FCC); 2.2 miles (3.5 km, CE); 2.5 miles (4 km, SRRC) 5.8 GHz: 4.3 miles (7 km, FCC); 1.2 miles (2 km, CE); 3.1 miles (5 km, SRRC)
EIRP	2.4 GHz: 26 dBm (FCC); 17 dBm (CE); 20 dBm (SRRC) 5.8 GHz: 28 dBm (FCC); 14 dBm (CE); 20 dBm (SRRC)
Video Output Ports	USB, HDMI
Power Supply	Built-in battery
Charging	DJI charger
Dual User Capability	Host-and-Slave connection
Mobile Device Holder	Tablet or Smart Phone
Max Mobile Device Width	170 mm
Output Power	9W (Without supplying power to smart device)
Operating Temperature	-4° to 104° F (-20° to 40° C)
Storage Temperature	Less than 3 months: -4° to 113° F (-20° to 45° C) More than 3 months: 72° to 82° F (22° to 28° C)
Charging Temperature	32° to 104° F (0° to 40° C)
Battery	6000 mAh 2S LiPo
USB Supply Power	iOS: 1 A = 5.2 V (Max); Android: 1.5 A = 5.2 V (Max)
<b>Downward Vision System</b>	
Velocity Range	<32.8 ft/s (10 m/s) at height of 6.56 feet (2 m)
Altitude Range	<32.8 feet (10 m)
Operating Range	<32.8 feet (10 m)
Operating Environment	Surfaces with clear patterns and adequate lighting (> 15 lux)
Ultrasonic Sensor Operating Range	0.33-16.4 feet (10-500 cm)
Ultrasonic Sensor Operating Environment	Non-absorbing material, rigid surface (thick indoor carpeting will reduce performance)
<b>Forward Vision System</b>	
Obstacle Sensing Range	2.3-98.4 feet (0.7-30 m)
FOV	Horizontal: 60°; Vertical: 54°
Operating Environment	Surfaces with clear patterns and adequate lighting (> 15 lux)
<b>Upward Infrared Sensing System</b>	
Obstacle Sensing Range	0-16.4 feet (0-5 m)
FOV	±5°
Operating Environment	Large, diffuse and reflective obstacles (reflectivity >10%)

<b>Charger</b>	
Model	IN2C180
Voltage	26.1 V
Rated Power	180 W
<b>Battery (Standard)</b>	
Name	Intelligent Flight Battery
Model	TB50-4280mAh-22.8V
Capacity	4280 mAh
Voltage	22.8 V
Battery Type	6S LiPo
Energy	97.58 Wh
Net Weight	515 g
Operating Temperature	-4° to 104° F (-20° to 40° C)
Storage Temperature	Less than 3 months: -4° to 113° F (-20° to 45° C) More than 3 months: 72° to 82° F (22° to 28° C)
Charging Temperature	41° to 104° F (5° to 40° C)
Max Charging Power	180 W
<b>Charging Hub (Model: IN2CH)</b>	
Input Voltage	26.1 V
Input Current	6.9 A
<b>Battery (Standard)</b>	
Name	Intelligent Flight Battery
Model	TB55-7660 mAh-22.8V
Capacity	7660 mAh
Voltage	22.8 V
Battery Type	6S LiPo
Energy	174.6 Wh
Net Weight	885 g
Operating Temperature	-4° to 104° F (-20° to 40° C)
Storage Temperature	Less than 3 months: -4° to 113° F (-20° to 45° C) More than 3 months: 72° to 82° F (22° to 28° C)
Charging Temperature	41° to 104° F (5° to 40° C)
Max Charging Power	180 W